

# YT8010AS

车载 100BASE-T1 以太网物理层收发器

## 产品简介

YT8010AS 为单对以太网物理层收发器 (PHY)，它实现 IEEE802.3bw 定义的 100BASE-T1 标准的以太网物理层。适合广泛的汽车应用，制造使用标准 CMOS 工艺，实现物理层功能在单对平衡双绞线上传输和接收数据。

基于先进的 DSP 技术，结合自适应均衡器、回波抵消器、模数转换、锁相环、线路驱动器、编码器/解码器和其它需要支持电路 100Mbps 数据速率，性能稳健并高于汽车电磁噪声环境中的干扰 (EMI) 要求，且功耗低。

YT8010AS 符合 SGMII 接口规范，允许与行业标准以太网媒体访问控制器 (MAC) 和交换机控制器连接。

YT8010AS 提供汽车行业 OEM 和一级供应商所需全面汽车技术解决方案，符合 AEC-Q100 一级温度范围。

## 应用领域

- 汽车信息娱乐系统
- 汽车诊断
- 高级驾驶员辅助系统
- 车身控制电子设备
- TBOX

This document is copyright of Motorcomm Electronic Technology Co., Ltd. ("Motorcomm"). All rights reserved.

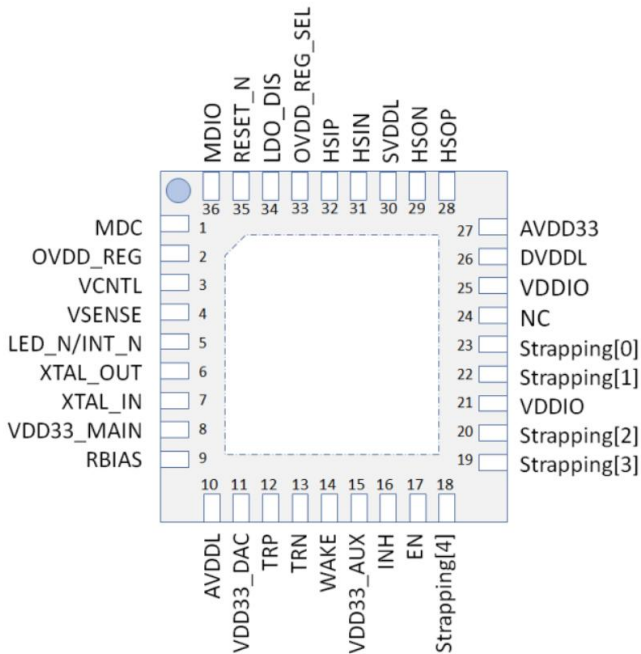
No company or individual may copy, disseminate, disclose or otherwise distribute any part of this document to any third party without the written consent of Motorcomm.

If any company or individual so does, Motorcomm reserves the right to hold it or him liable therefor.

## 主要功能

- 100BASE-T1 Transceiver
  - 100BASE-T1 IEEE 802.3bw standard
  - Full duplex
  - Rapid linkup
- Support auto cable detection and working mode selection.
- SGMII support
- Support Remote Wake up 3.3V analog supply.
- Advanced low-power management with
  - local wake-up support
  - Automotive Cable Diagnostics support
- Integrated LDO regulator allowing a single supply
- internal/external/remote loopback mode for diagnosis
- Jumbo frame supports up to 16 kB
- Polarity detection and auto/manual correction
- Integrated twisted-pair termination resistors
- AEC-Q100 Grade 1 (-40~125°C)
- Trace matched output impedance
- Integrated low-pass filter
- Robust cable ESD tolerance
- Package QFN 36, 6x6mm

## 主要功能



This document is copyright of Motorcomm Electronic Technology Co., Ltd. ("Motorcomm"). All rights reserved.

No company or individual may copy, disseminate, disclose or otherwise distribute any part of this document to any third party without the written consent of Motorcomm.

If any company or individual so does, Motorcomm reserves the right to hold it or him liable therefor.